

DATASHEET

75W Flicker-free Constant Voltage DALI LED Driver

LD75V-PDV



- Wide dimming range from 1% to 100%
- Less than 2% flicker for the whole dimming range
- Stand-by power below 0.5W
- Integration of various of dimming modes, DALI, push, PWM, 1-10V and 0-10V



[Data]

INPUT	Voltage range	198-264Vac 50Hz /60Hz
	Rated supply voltage	220-240Vac 50Hz /60Hz
	Input Current	0.5A Max.
	Input Inrush Current	15A(twidth=100us measured at 50% Ipeak @230Vac (Cold start 100% load)
	Power Factor	≥0.90@230Vac (100% load)
	Stand-by Power	≤0.5W@230Vac (When PUSH is turned off)
	Efficiency	84% Min. @230Vac (100% load)
	Wiring Method	8 PIN Push terminal, L,L,N,N,DA,DA,DA,DA, wire cross section: 0.75-1.5mm ²
	Circuit breaker Maximum allowable connection number	15
OUTPUT	Operating mode	Constant voltage
	Load type	LED
	Ripple requirement (Flickering or Flickering-Free)	Flicker-free (Less than 2% flicker for the whole dimming range)
	Rated output voltage	12Vdc
	output voltage range	11.4-12Vdc
	Max. output current	6.25A Max.
	Constant current/voltage accuracy	Constant voltage accuracy +0%/- 5%
	Glow requirement	Customer lights with no glow

DATASHEET

75W Flicker-free Constant Voltage DALI LED Driver

LD75V-PDV

	Ripple current	±5% (@230Vac 100% load LED load)
	Start up time	≤1S @230Vac
	Wiring method	Terminal with screw, wire cross section:1.5-2.5mm ²
CONTROL METHOD	Primary PUSH dimming	Dimming range 0%-100% , flicker≤2%
	1-10V (0-10V) dimming	Dimming range 1%-100% , flicker≤2%
	Primary PWM dimming	1-10V port PWM dimming: Dimming range 1%-100% Frequency: 3-8KHZ
	Potentiometer dimming	Yes, 100KR
	DALI dimming	Dimming range 1%-100% , flicker≤2%
EXCEPTION PROTECTION REQUIREMENTS	Input over voltage protection	300Vac, 2 hours
	Output over load protection	Yes
	Output no load protection	Status can be queried by DALI
	Output over temperature protection	Yes, Center value of over temperature protection point 85°C (With query function)
	Output short-circuit protection	Yes, (With query function)
OPERATING ENVIRONMENT	Operating temperature/humidity	-25~+45°C, humidity:85% (Non-condensing)
	Storage temperature/humidity	-40~+80°C, humidity:10%–95%
	Max. case temp (Tc)	85°C
SAFETY & EMC	Withstand voltage	3750V AC 5mA 60S (Input "L N" Output "SEC+ SEC- 1-10V")
	EMC standard	EN55015 EN61547 EN61000-3-2 EN61000-3-3
	DALI protocol standard	IEC62386-102IEC62386-207
	Safety standard	EN61347-1 EN61347-2-13
	Certification	CE, RoHS
OTHERS	Degrees of protection	IP20
	Type of protection	Class II
	Installation type	Independent installation
	Dimension	220*58*40mm
	Memory function	Yes (PUSH memory function, according to the settings)
	Max. synchronization	15
	Packaging requirement	PE bag + clapboard + outer carton (K=A)
	Weight	628g

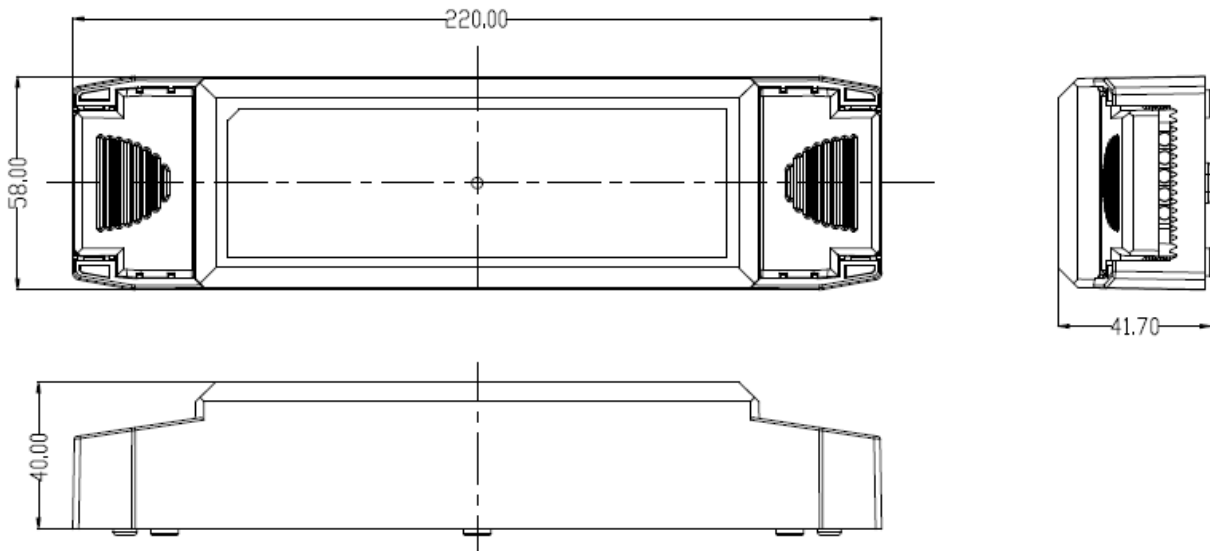
DATASHEET

75W Flicker-free Constant Voltage DALI LED Driver

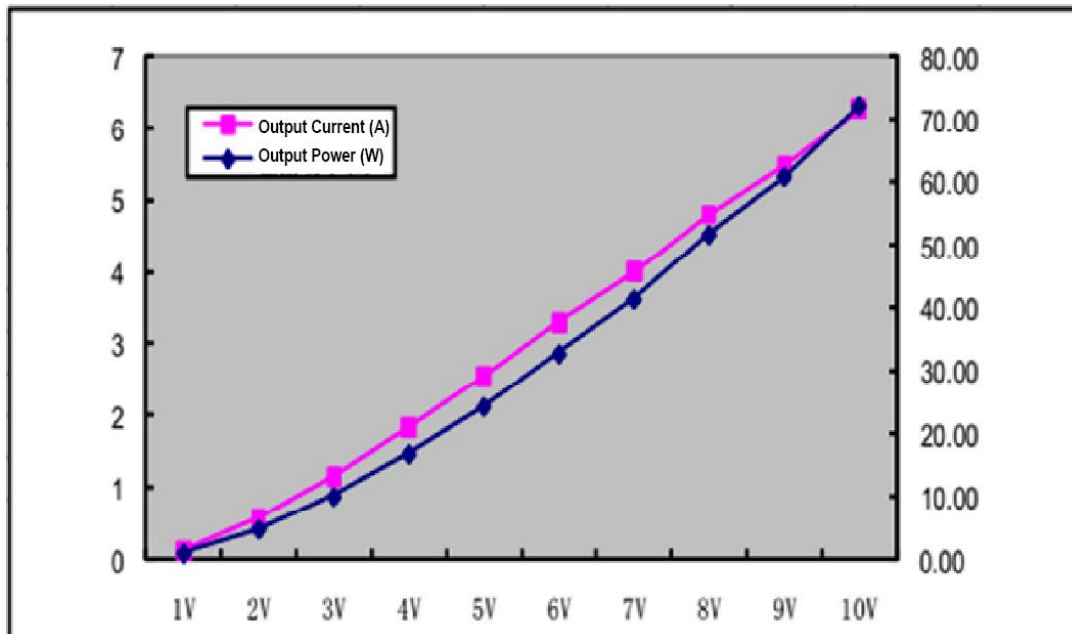
LD75V-PDV

	Life assessment (MTBF)	100000h
	Life	50000h @Ta 100% load

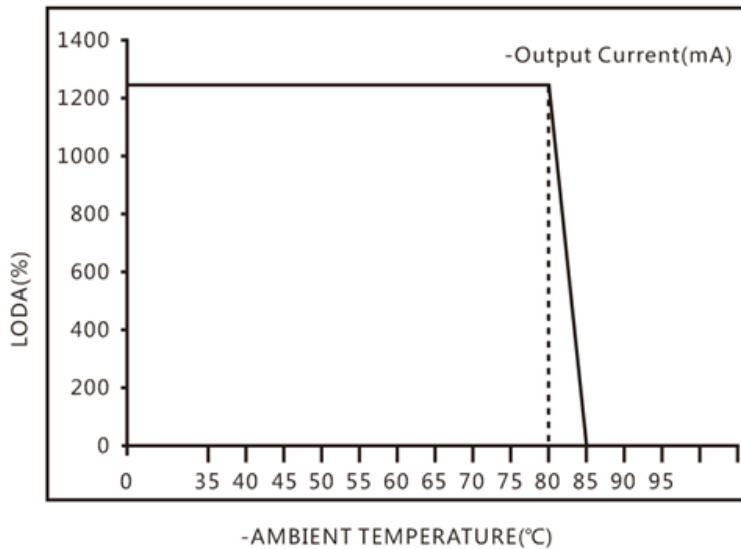
[Dimensions]



[1-10V Curve Diagram]



[Derating]



[Switching on/off & dimming instruction]

- 1) 1-10V dimming** (Short circuit 1-10V port for 5s, can be switched to 1-10V dimming.)
 - LED Driver On/Off:**

It can achieve LED Driver on or off by rotating the 1-10V dimmer switch. When the 1-10V dimmer output >1V, the LED Driver is on; when the 1-10V dimmer output <0.8V, the LED Driver is off.
 - 1-10V Dimming:**

When the LED driver is on, it can achieve dimming by rotating the 1-10V dimmer, the dimming range is 1-100%. When the 1-10V dimmer output is 1V, LED current will be the 1% of the maximum current. When the 1-10V dimmer output is 10V, LED current will be the maximum.
(Note: When push dimming has been used, the 1-10V is inactive.)
- 2) PUSH dimming**
 - ON/OFF:** Short press (0.1s~1s) on the switch.
 - Dimming:** Long press (1s~10s) on the switch. LED Driver can achieve dimming and the dimming range is 1%-100%.
 - Synchronization:** Press and hold the button for at least 15 sec. The driver starts the light at 50% level, the system is now synchronized.
 - Memory:** Low voltage、high voltage PUSH dim with memory function.

3) DALI dimming

Connect LED driver into DALI system, it can achieve dimming by DALI master and the dimming range is 0-100%.

[Wiring Diagram]

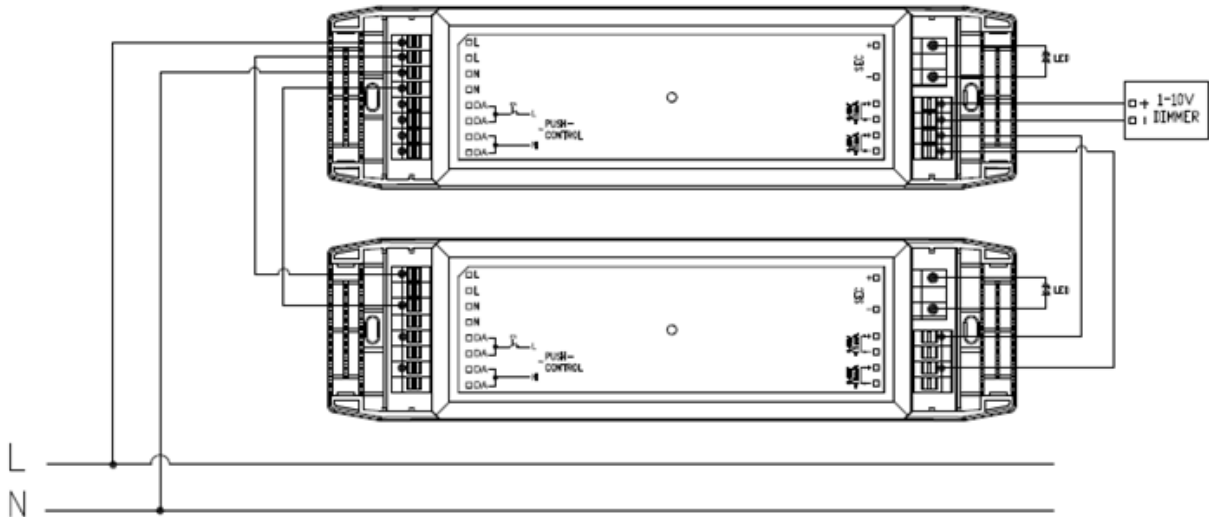


Fig. A: 1-10V Dimming

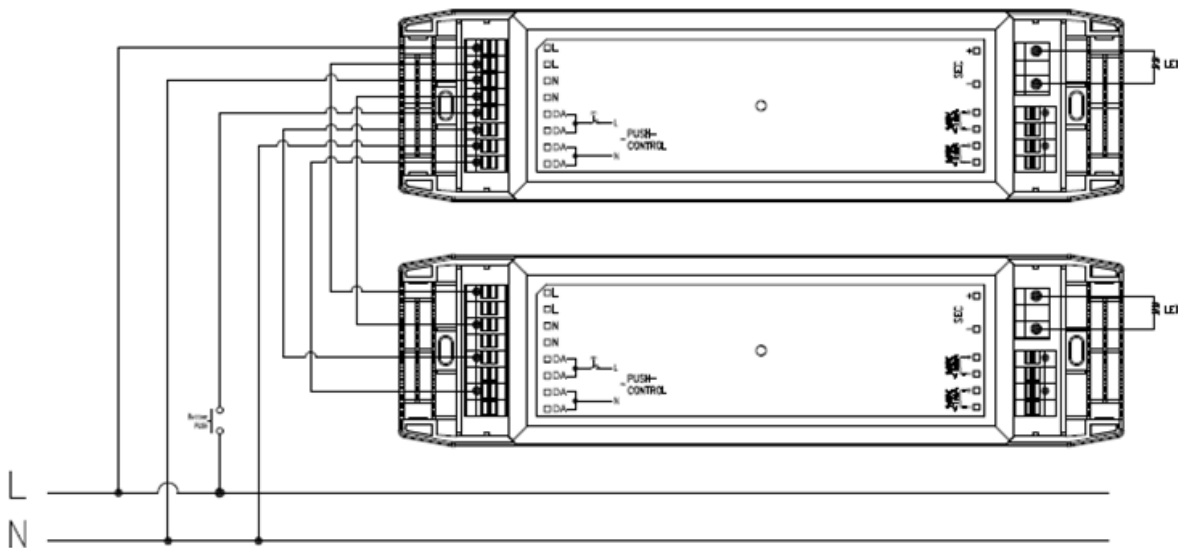


Fig. B: High voltage PUSH Dimming

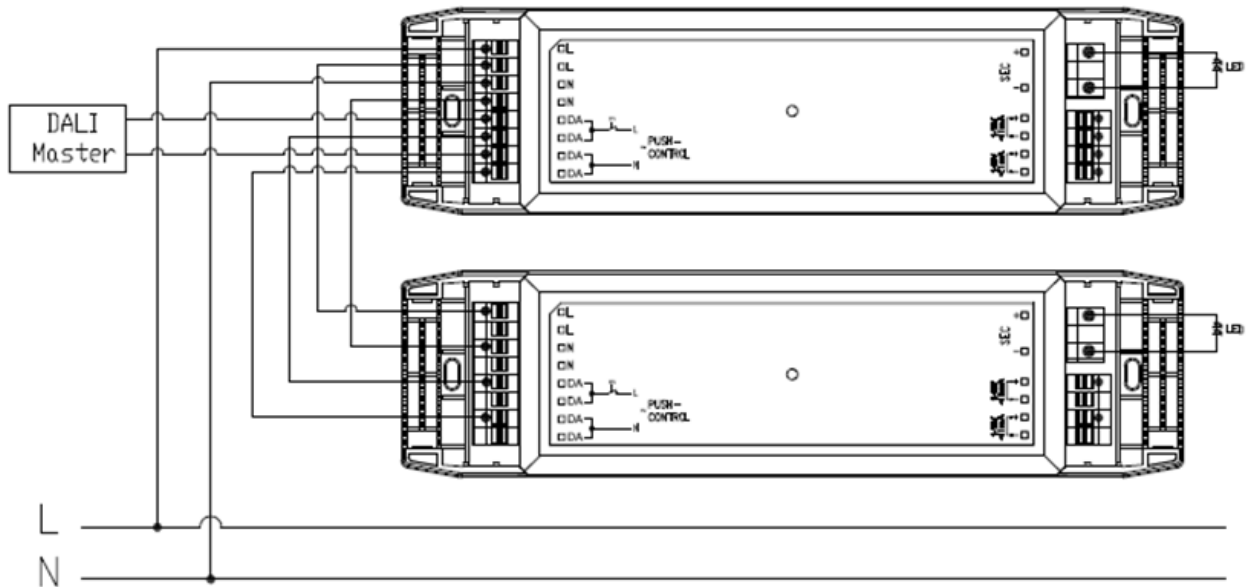


Fig. C: DALI Dimming