



- Flicker-free for whole dimming range
- 2-output output current
- Stand-by power below 0.5W
- Primary dimming with push button
- Secondary dimming with 1-10V dimmer and potentiometer
- Built-in DALI interface
- Supports 10V PWM dimming (3KHz-8KHz)
- Protection: short circuit / over temperature/ over voltage
- Derating current for over high ambient temperature
- Push dim with memory function
- 5-year warranty



[Data]

Input	Operating Voltage	198-264VAC 50Hz/60Hz
	Rated Input Voltage	220-240VAC 50Hz/60Hz
	DC Input Voltage range	200-240VDC
	Input Current	0.45A Max.
	Input Inrush Current	<20A (Half current pulse width 100US) @230V AC
	Power Factor	≥0.90 @230V AC (Full load)
	No-load power	≤2.0W
	Stand-by Power	≤0.5W (@230Vac when PUSH or DALI turn off)
	Efficiency	85%Max. @230V AC (Full load)
	Wiring Method	Press fit terminal Wire Diameter:0.75-1.5mm ²
Output	Operating mode	Constant Current
	Load type	LED
	Ripple requirement (Flickering or flickering-Free)	Flicker value: less than 2% for whole dimming range
	No-load output voltage	68VDC Max.
	Load output voltage range	6-58VDC
	Full load output power	60W Max.
	Load output current	2x350mA(6-58V)/2x500mA(6-58V)/2x700mA(6-42V)/900mA(6-33V)
	Constant current/voltage Precision	Constant Current Precision ±5%
	Wiring method	Press fit terminal Wire Diameter:0.75-1.5mm ²

DATASHEET

60W Non-flickering 1-10V-/Push-/DALI-dimmable LED Driver

LD60C2-PDV

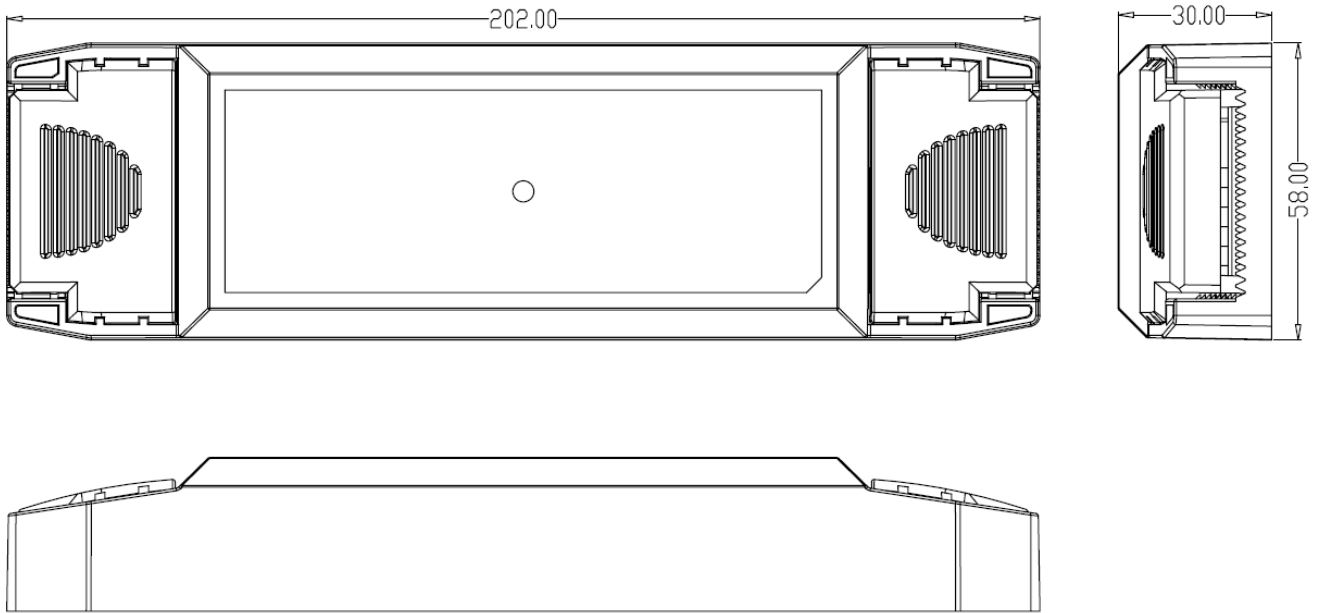
Control Method	Primary PUSH Dimming	Primary PUSH dimming (Max. wire length: 20M)
	1-10V (0-10V) Dimming	1-10V dimming (Port current < 1MA) no turn off function (Max. wire length: 20M)
	Dimming Range	Primary PUSH & DALI dimming: 0%-100% 1-10V dimming: 2%-100%
	Primary PWM Dimming	1-10V port PWM dimming (3KHZ-8KHZ)
	Potentiometer	Yes, 100kΩ
	DALI Dimming	DALI dimming (Max. wire length: 300M)
Exception Protection Requirements	Input over voltage protection	300VAC 50Hz/60Hz 2Hours
	Output over voltage protection	N/A
	Output over load protection	Yes
	Output no load protection	N/A (Can be inquired)
	Output over temperature protection	Yes, without self recovery function (Can be inquired)
	Output short circuit protection	Yes, without self recovery function (Can be inquired)
Operating Environment	Operating temperature/ humidity	-25°C~50°C Humidity:85% (Non-condensing)
	Storage temperature/ humidity	-40°C~80°C
	Max. case temp (Tc)	85°C
Safety & EMC	Withstand voltage	3750V AC 5mA 60S (Input "L N"- Output "SEC+ SEC- 1-10V")
	EMC standard	EN55015 EN61547 EN61000-3-2 EN61000-3-3
	DALI protocol standard	IEC62386-102 IEC62386-207
	Safety standard	EN61347-1 EN61347-2-13
	Certification	CE0700 RoHS
Others	Degrees of protection	IP20
	Type of protection	Class II
	Installation type	Independent installation
	Installation dimension	202X58X30mm
	Blackout memory function	Yes, PUSH blackout memory
	PUSH Dimming synchronization	15
	Packaging requirement	PE Bag + white box+ Instructions Clapboard Outer Carton(K=A)
	Weight	275g
	Life	50,000h @Ta full load

[Dimensions]

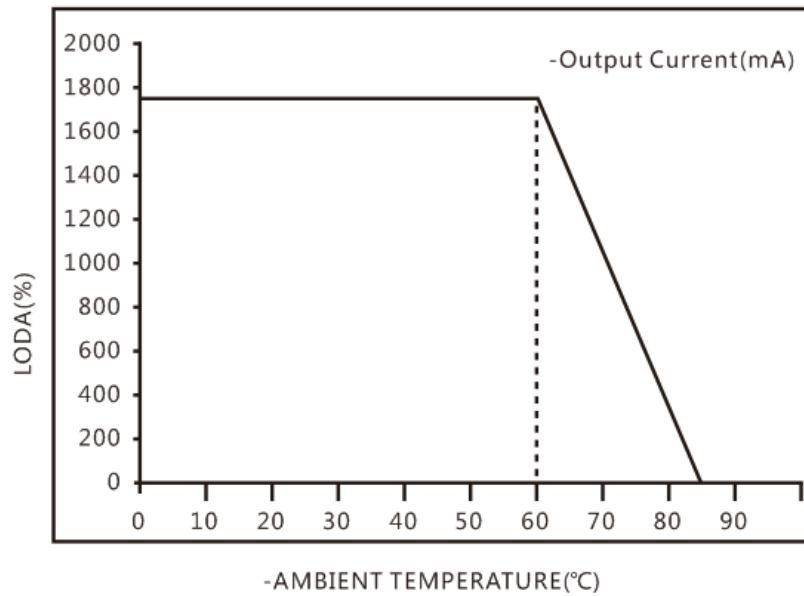
DATASHEET

60W Non-flickering 1-10V-/Push-/DALI-dimmable LED Driver

LD60C2-PDV



[Derating]



[Wiring diagram]

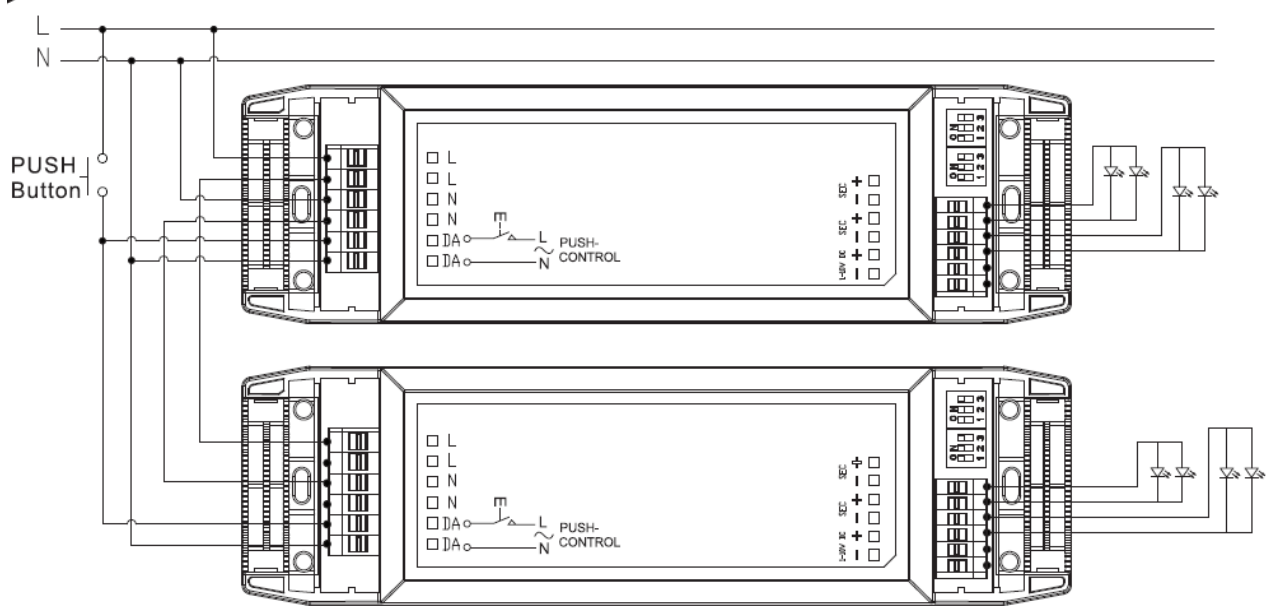


Fig. A Push Dimming

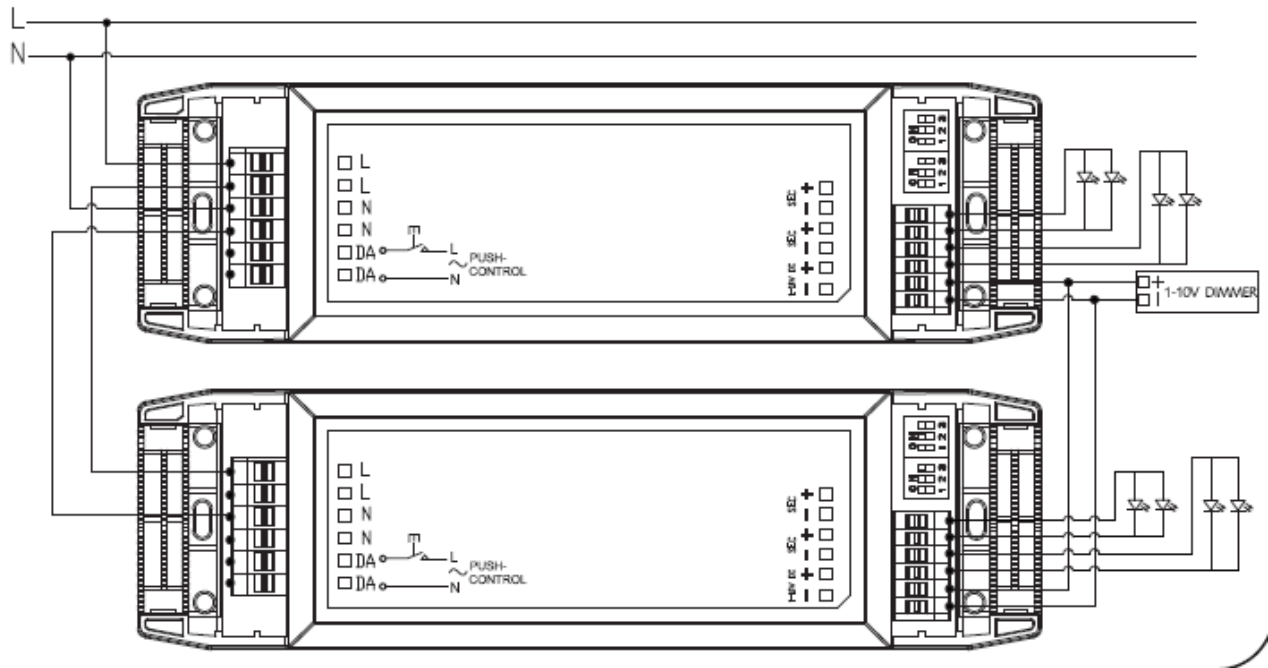


Fig. B 1-10V Dimming

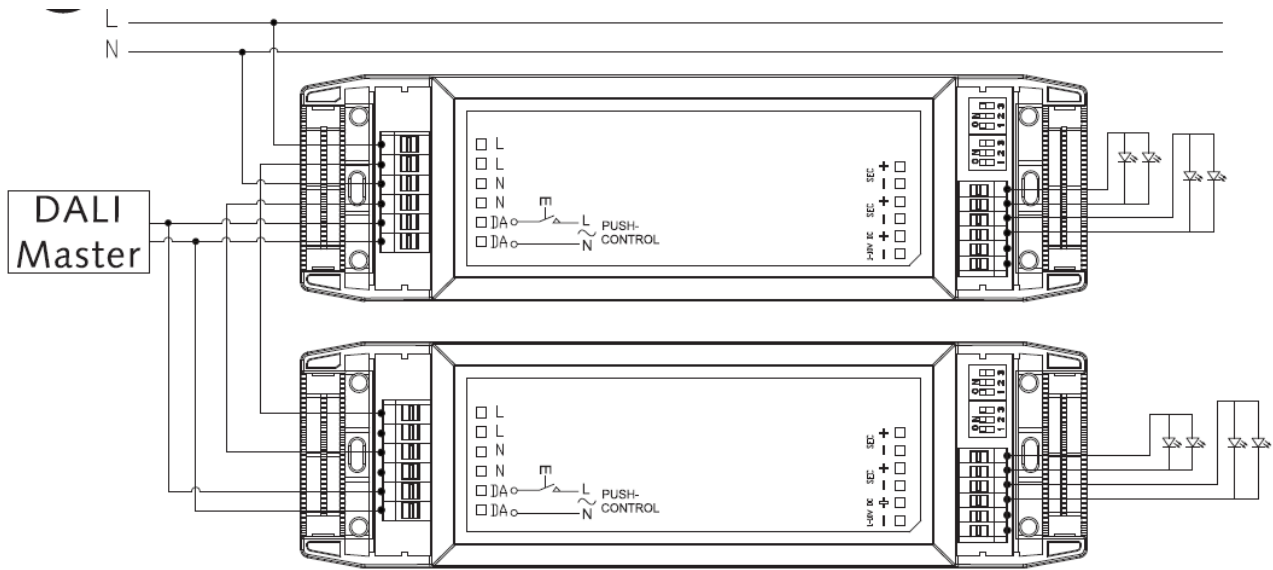


Fig.C DALI Dimming