



- Flicker-free for whole dimming range
- Stand-by power below 0.5W
- Primary dimming with push button,DALI dimming
- Secondary dimming with 1-10V dimmer
- Dim via a potentiometer
- Protection: short circuit / over temperature/ over voltage
- Derating current for over high ambient temperature.
- Dimming level memory at mains restores

[Data]



INPUT	Input voltage range	198-264V AC
	Rated input voltage	220-240V AC
	Input frequency	50Hz/60Hz
	Input DC voltage range	200-240V DC
	Input current	0.18A Max
	Input Surge Current	<15A@230V AC
	Power factor	≥0.90 @230V AC(full load)
	Stand-by power	≤0.5W
	Work Efficiency	86%Max. @230V AC(full load)
	Wiring Way	Press-in type terminals, 0.75-1.5mm2
OUTPUT	Working mode	Constant Current Mode
	Load type	LED
	Wave requirement(with flash or not)	Without flash in the whole range(stroboscope test is lower 2%)
	No-load output voltage	68V DC Max
	Full-load output voltage	6-58V DC
	Full-load output power	30W Max
	No-load output current	250mA(6-58V) 350mA(6-58V) 400mA(6-58V) 450mA(6-58V) 500mA(6-58V) 550mA(6-55V) 600mA(6-50V) 700mA(6-43V)
	Constant current accuracy	±5%
	Wiring Way	Press-in type terminals, 0.75-1.5mm2
DIMMING	Primary PUSH dim	Yes(Max. Leading wire length:20M)
	1-10V dim	Yes, port-current <1 mA(Max. Leading wire length:20M)
	DALI dim	Yes(Max. Leading wire length:300M)
	Primary PWM dim	1-10V port PWM dim(3KHZ-8KHZ)
	Potentiometer	Yes, 100kΩ
	Dimming range	Primary PUSH&DALI dim:0%~100% 1-10V dim:2%~100%
ENVIRONMENT	Working temp.(Ta)	-25°C~50°C
	Surface temp.(Tc)	85°C
	Working humidity	85% Non-condensing

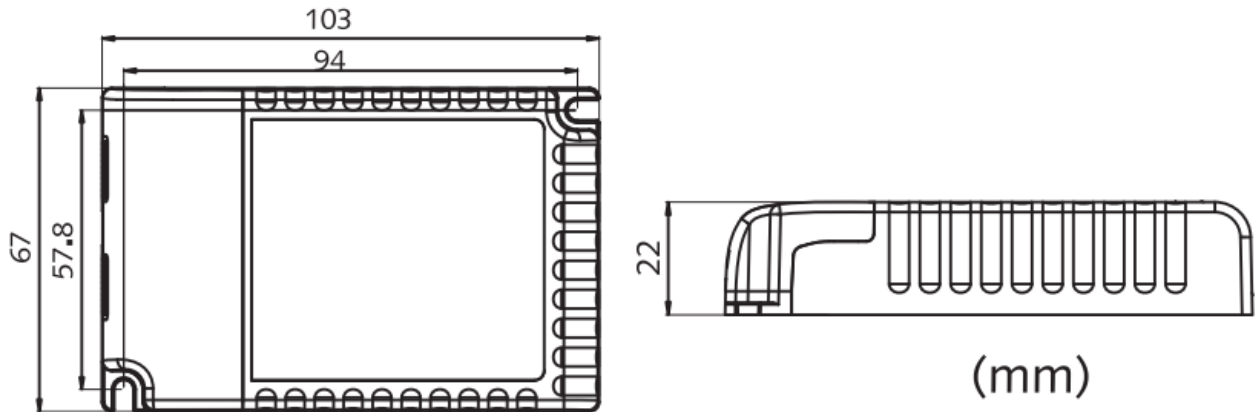
DATASHEET

30W Non-flickering DALI/1-10V/Push Dimmable LED Driver

LD30C-PDV

	Storage temp.	-40°C~80°C
	Life time	50,000 hours
PROTECTION	Safety	EN61347-1 EN61347-2-13
	EMC	EN55015, EN61000-3-2, EN61547, EN61000-3-3
	Approvals	CE0700 RoHS
	Withstand voltage	IN-OUT:3.75KVAC/5mA/60s
	DALI standard	IEC62386-102, IEC62386-207
	Connection	Input: L,L,N,N,DA,DA Output: SEC(+) SEC(-), 1-10V(+),1-10V(-)
OTHERS	Isolation class	Class II
	Protection class	IP20
	Installation requirement	Standalone type
	Dimension size(LXHXW)	103x67x22mm
	Power-off memory function	(PUSH Power-off memory)Yes
	Max. Syc numbers for PUSH	15 pcs
	Packing	white box
	Span life	50000h
<p>Note:</p> <p>1, Power factor and efficiency is detected at 230Vac input and full load.</p> <p>2, Standby power is detected at 230Vac input and switch off led load by push button.</p>		

[Dimensions]



[Wiring diagram]

PUSH Dim

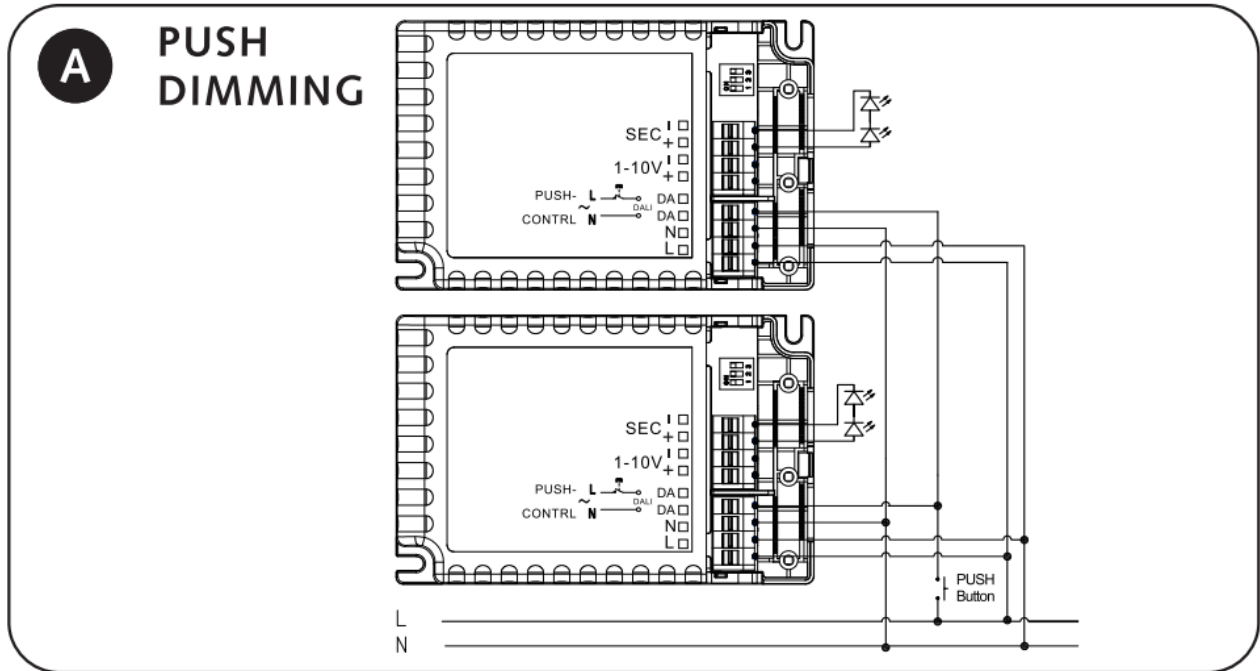


Fig.A Primary Push Dim

1-10V Dim

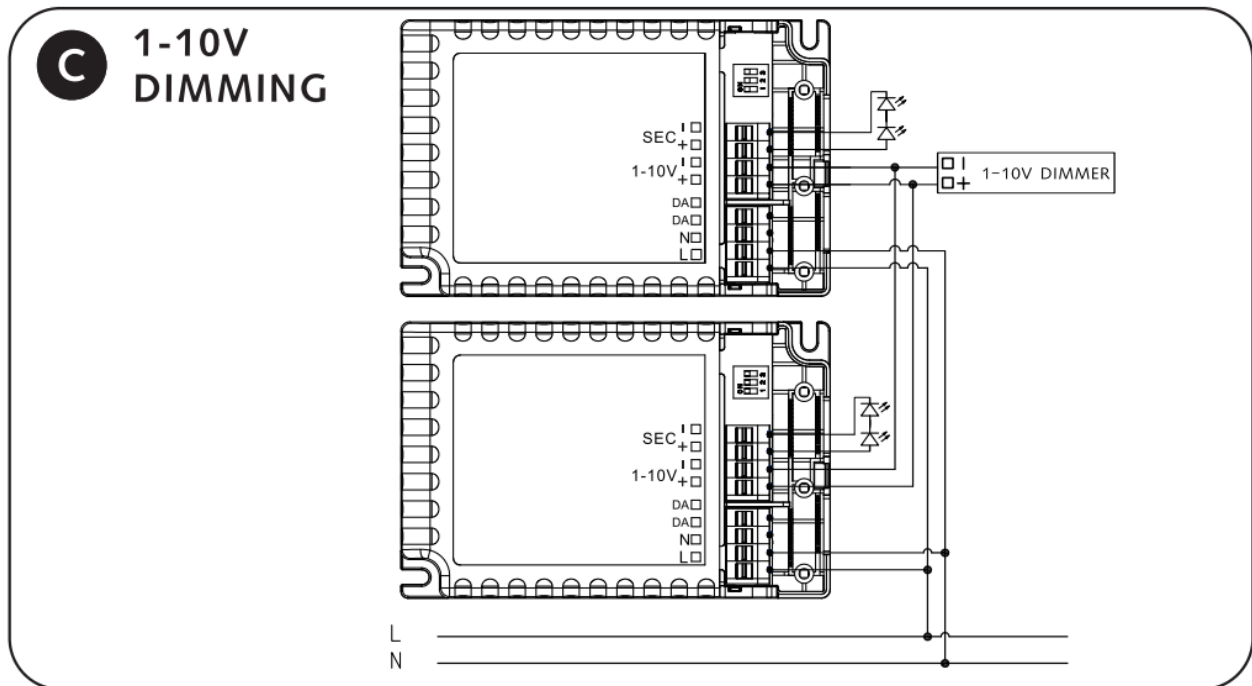


Fig.B 1-10V Dim

DALI dim

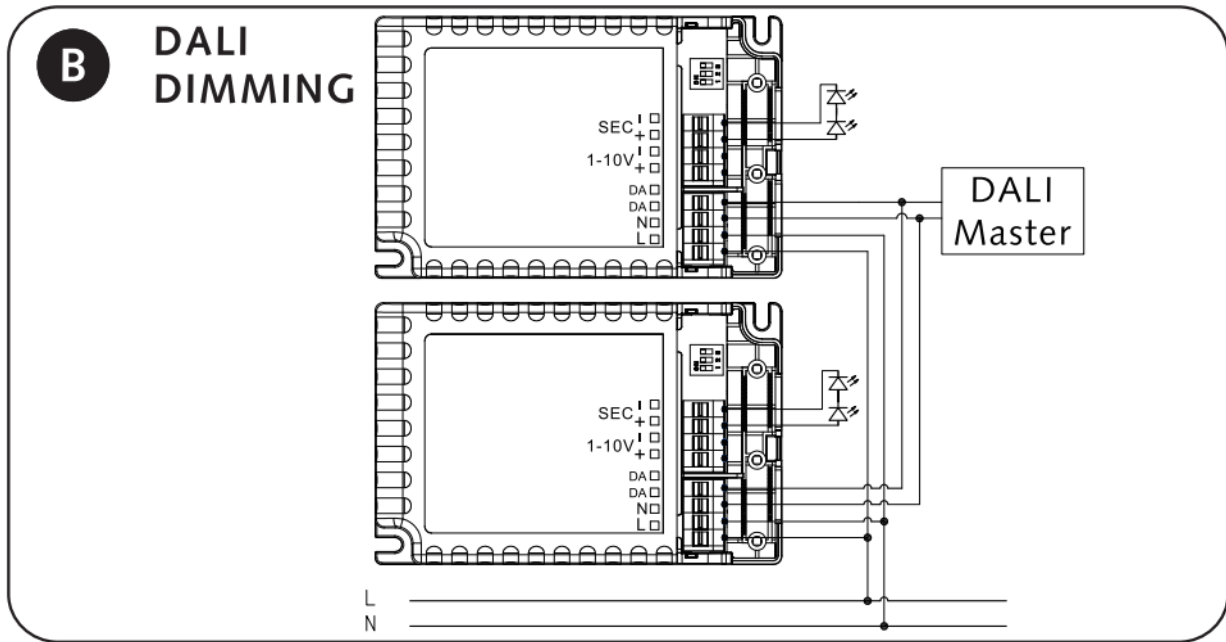


Fig.C DALI dim